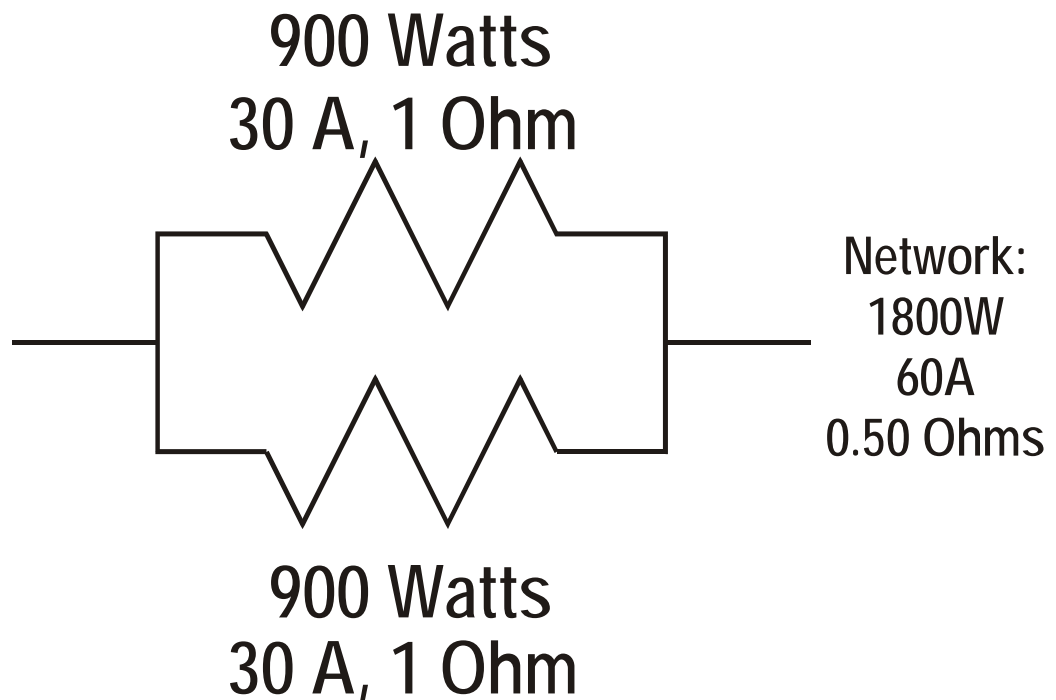


ISQUARED R ELEMENT CO., INC.



12600 Clarence Center Road, P.O. Box 390, Akron, New York 14001-0390, e-mail: sales@isquaredrelement.com
webpage: www.isquaredrelement.com, Phone (716)542-5511, FAX (716)542-2100

Parallel Circuit with New Matched Elements 30 volts



Amperage Element #1

$$I = E/R$$

$$I = 30 \text{ V} / 1 \text{ ohms}$$

$$I = 30 \text{ A}$$

Amperage Element #2

$$I = E/R$$

$$I = 30 \text{ V} / 1 \text{ ohms}$$

$$I = 30 \text{ A}$$